

Frozen Granita and Cream Dispenser with 1 insulated bowl, UV light

ITEM # _____

MODEL # _____

NAME # _____

SIS # _____

AIA # _____


560098 (SPINewUV)

Frozen Granita and Frozen Cream Dispenser with 1x5 l insulated bowl and UV light, R290

Short Form Specification

Item No. _____

1x5 lt bowl frozen granita and frozen cream dispenser. Ideal for the production of chilled specialties: creamy desserts, sherbets, mousses and similar products. Works with water or milk/based dried products or with milk mixtures ready to be poured into the bowl. Compact design. Extremely user-friendly thanks to the screw design for adjusting the consistency of the product. Hybrid control of consistency, it self-adjusts to ensure that the product always has the same consistency. The bowl is illuminated by LED lights. Exclusive nUV LED system for bowl sanitation. The machine automatically stops when the cover is opened. No ice outside the tank with the insulated tank. Rounded shapes with stainless steel finishings and white plastics. All parts that come into contact with the food are in stainless steel or plastic, can be removed for easy cleaning.

Main Features

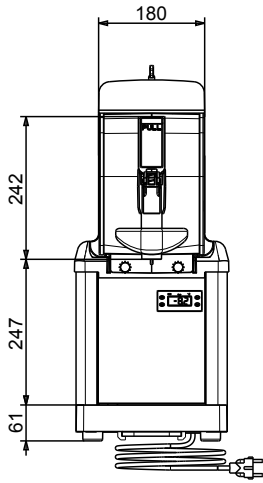
- Ideal for production of chilled specialties: creamy desserts, sorbet, mousses and similar products.
- Works with water or milk/based dried products or with brik mixtures ready to be poured into the bowl.
- Perfect solution for bars, restaurants, cafeterias, coffee shops, hotels and all the other HoReCa operators who desire reliable piece of equipment.
- The machine automatically stops when the cover is opened.
- No more ice or condensation outside the tank with the insulated tank.
- Rounded shapes with stainless steel finishing and white plastics.
- The insulated tank guarantees higher cooling efficiency and lower effect of the external temperature on product's preparation and maintenance time reducing condense and draining; it is the best solution in hot climate conditions.
- Exclusive nUV LED system for bowl sanitation.
- New design of the screw to adjust the product consistency makes the equipment extremely user-friendly.
- Hybrid control of consistency. The integrated software allows the equipment to self-adjust to ensure that the product has always the same consistency, from the first to the last drop dispensed.
- The bowl of SP ULTRA is also illuminated by LED lights, from above and below, giving the equipment a more attractive look, enhancing the product, increasing its visibility and encouraging impulse purchases.

Construction

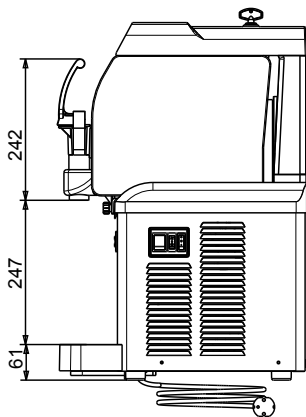
- All parts that are in contact with food are in stainless steel or plastic, can be removed for easy cleaning and are dishwasher safe.
- Compact design.

APPROVAL: _____

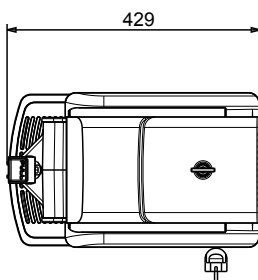
Front



Side



Top





Electrolux
PROFESSIONAL

Frozen Frozen granita and cream dispenser with 1 insulated bowl, UV light

Electric

Supply voltage: 220-240 V/1 ph/50 Hz
Electrical power, max: 0.31 kW

Key Information:

Net weight: 28 kg

Sustainability

Refrigerant type: R290
Refrigerant weight (unit 1): 68 g



Frozen
Frozen granita and cream dispenser with 1 insulated bowl, UV light
The company reserves the right to make modifications to the products
without prior notice. All information correct at time of printing.

2025.10.16